

Overview

Applications

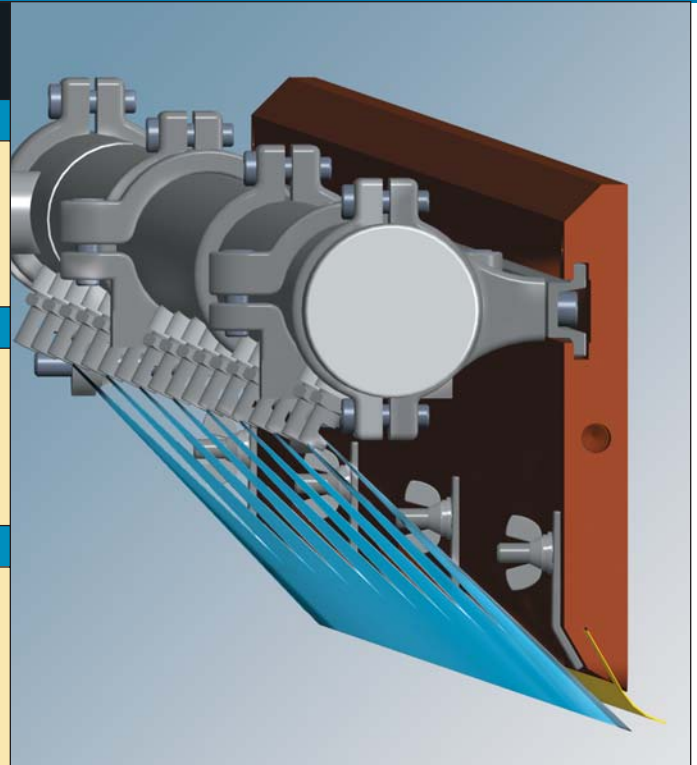
Edge Saver Deckle Boards are custom designed for each paper machine application. The modular design permits easy adjustment to minimize wakes, improve CD profiles, and machine hygiene.

Features

- ▶ Gentle wire contact minimizes fabric wear
- ▶ Easily accessible outside sealing shower
- ▶ 316 stainless steel construction
- ▶ Easily adjustable design

Benefits

- ▶ Improves CD profiles
- ▶ Minimizes edge wakes
- ▶ Easy installation and maintenance
- ▶ Cleaner, better formed sheet edges
- ▶ Potential increased trim width



Edge Saver Deckle Boards feature a sealing strip that create a leak-free seal with the forming fabric to eliminate stock leaking under the deckle board, improving wet-end hygiene and minimizing sheet breaks. The deckle board flushing shower prevents stock build-up and improves safety and cleanliness.

